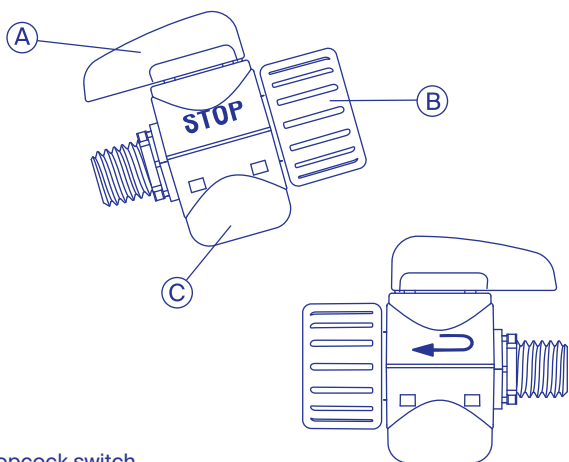
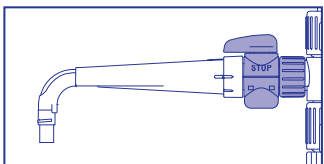


# Quick Guide



## Flow Control Stopcock for Calibrex™ 525/530



- A** Stopcock switch
- B** Connecting nut
- C** Stopcock body

Related items	Packaging	Cat. No.
For Calibrex™ 525/530 up to 10 mL	1/ pk	1.525.544
For Calibrex™ 525/530 ≥ 25 mL	1/ pk	1.525.546

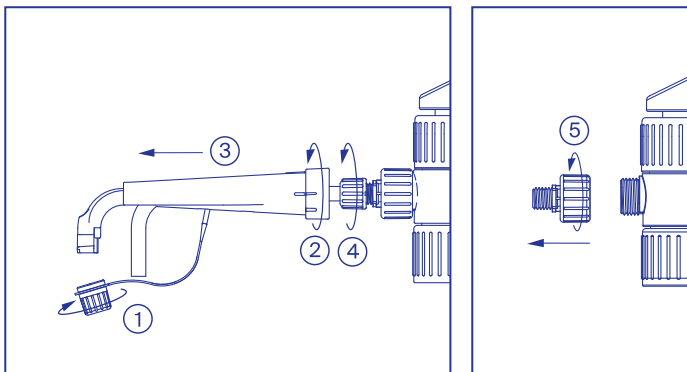


Stopcock assembly,  
Quick Guide

### ⚠ Safety precautions

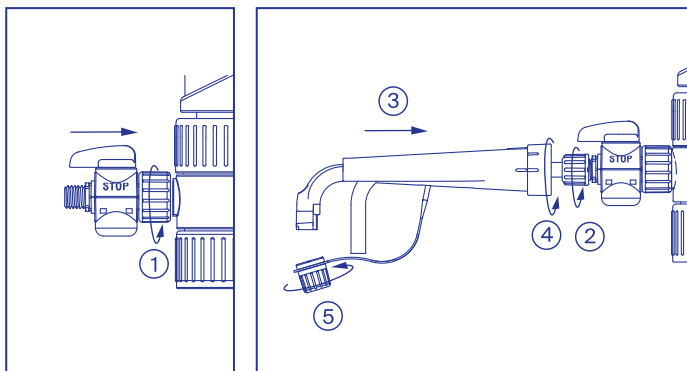
- Read carefully and observe manufacturer's instructions and guidelines.
- Always control chemical compatibility limits.
- Refer to and follow regulations about handling of potentially hazardous reagents.
- This accessory is intended for use with Socorex Calibrex™ 525/530 bottle-top dispensers.

### Step-by-step instructions



#### Assembling with stopcock

- 1) Remove stopper. 2) Release delivery jet and 3) pull to separate from connecting nut. 4) Unscrew delivery jet tube.
- 5) Unscrew connecting nut and remove.



- 1) Screw stopcock assembly.
- 2)-5) Assemble delivery jet following the steps from first image in reverse order.

Scan to access Calibrex™  
operating instructions

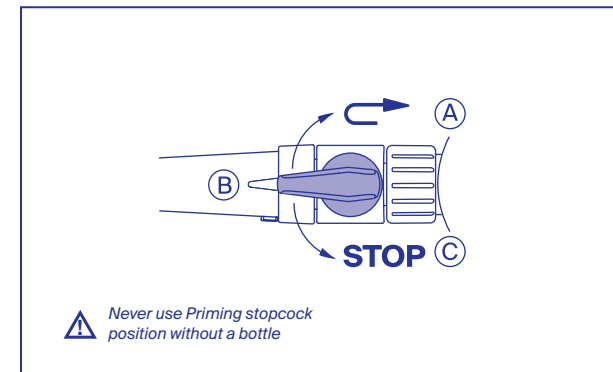


EN / DE / FR



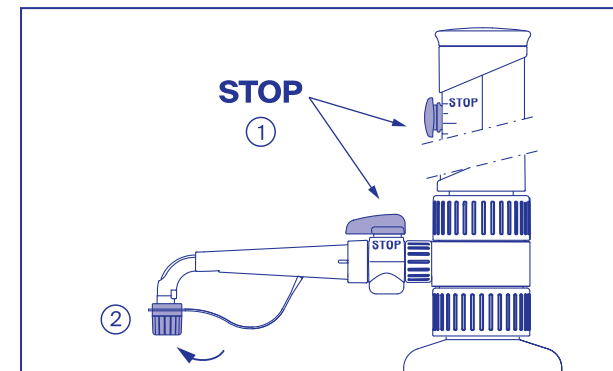
IT / ES / PT

Scan to access  
video



#### Use

- A) Priming B) Dispensing C) Stop



#### End of work

Purge and rinse instrument carefully. 1) if available, move stopcock selector to STOP position. 2) Screw stopper back on.

1.525FC-E-A0526